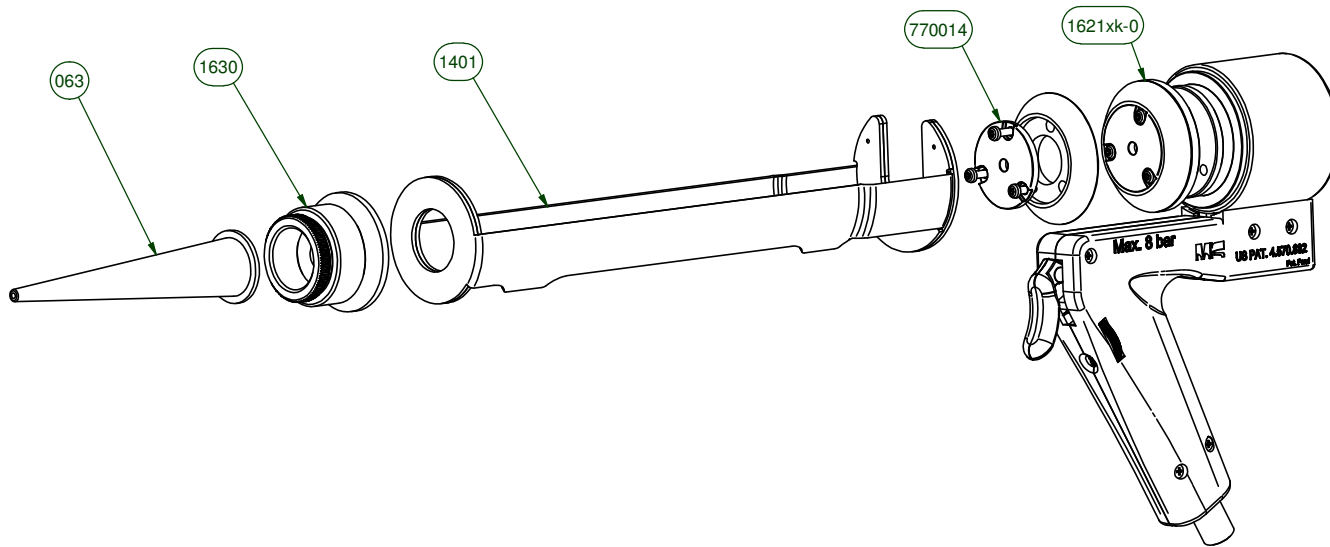


T16X	
DESCRIPTION	SAP No.
1621xk-0Handle 1/4" RG complete	
1401 Cartridge holder	
063 Nozzle	
1630 Nozzle holder complete	
770014 Seal complete	



Uncontrolled copy when printed

Sausage (ml.):	Cartridge:	Vol. (ml.):	Force (kN.):	Ratio:	Size:	Scale:	Drawn:	
-	Single	310	1,0	-	A3	1:2	20-08-2014 / SC	
							Changed:	01-10-2014 / SC
SULZER <small>Copyright © by Sulzer Mixpac AG. The content of this document is and remains the intellectual property of Sulzer Mixpac AG. It is submitted to the recipient without granting any license. It shall not be copied, reproduced or duplicated wholly or partly or made available to third parties without the previous written permission of Sulzer Mixpac AG.</small>				ISO "E" 	Article no.:		Revision:	
					DP1 310-13-1XXX		01	